

RUBBER BOOT FLASHING (For 1" Wall Thickness Chimneys and DirectTemp)

INSTALLATION INSTRUCTIONS

The Rubber Boot Flashing Kit is available as an option for passing through corrugated and metal roofs with the following

Selkirk Venting Models:

UT, ST, GT, U1, DT, FC, JSC, SPR.



LISTED

For Models:
UT, ST, GT, DT, JSC, SPR

Tested To:
CAN/ULC-S604
CAN/ULC-S610
CAN/ULC-S629
UL103 Type HT
UL 127

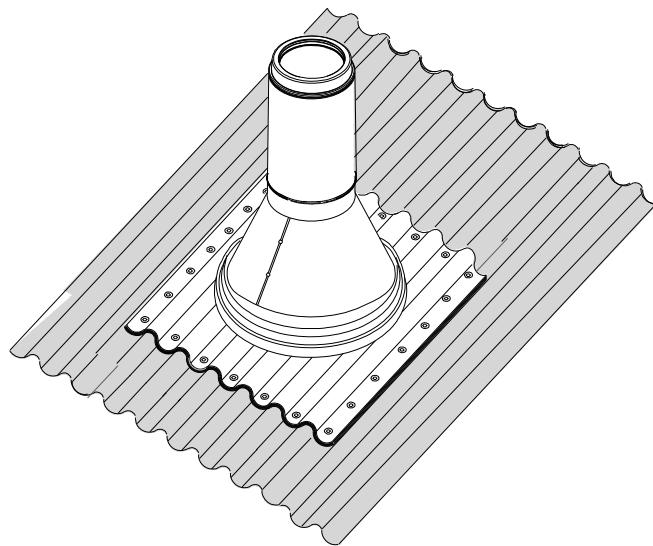


LISTED

For Models:
FC, U1

AMAJOR CAUSE OF CHIMNEY-RELATED FIRES IS FAILURE TO MAINTAIN REQUIRED CLEARANCES (AIR SPACES) TO COMBUSTIBLE MATERIALS.

CAUTION!
RISK OF FIRE - DO NOT
install Rubber Boot Flashings in direct contact with Selkirk (or any) chimneys, unless the chimney manufacturer's instructions permit such direct contact.



PLEASE READ ALL INSTRUCTIONS BEFORE BEGINNING YOUR INSTALLATION.
FAILURE TO INSTALL THIS COMPONENT IN ACCORDANCE WITH ALL INSTRUCTIONS WILL VOID THE CONDITIONS OF CERTIFICATION AND THE MANUFACTURERS WARRANTY.
KEEP THESE INSTRUCTIONS IN A SAFE PLACE FOR FUTURE REFERENCE.

SELKIRK CORPORATION
5030 Corporate Exchange Blvd., SE,
Grand Rapids, MI 49512
1-(800)-992-VENT (8368)
info@selkirkcorp.com

SELKIRK

www.selkirkcorp.com

SELKIRK CANADA CORPORATION
P.O. Box 526, Depot 1
Hamilton, Ontario L8L 7X6
1-888-SELKIRK (735-5475)
info@selkirkcanada.com

510004 - 0712

The Rubber Boot Flashing Kit consists of a ventilated shield assembly that fits around a pipe section and a rubber boot that seals around the shield assembly. The shield assembly is first assembled, installed and supported around the chimney. The rubber boot is then installed in direct contact with the shield assembly and sealed to the roof.

Kit contents:

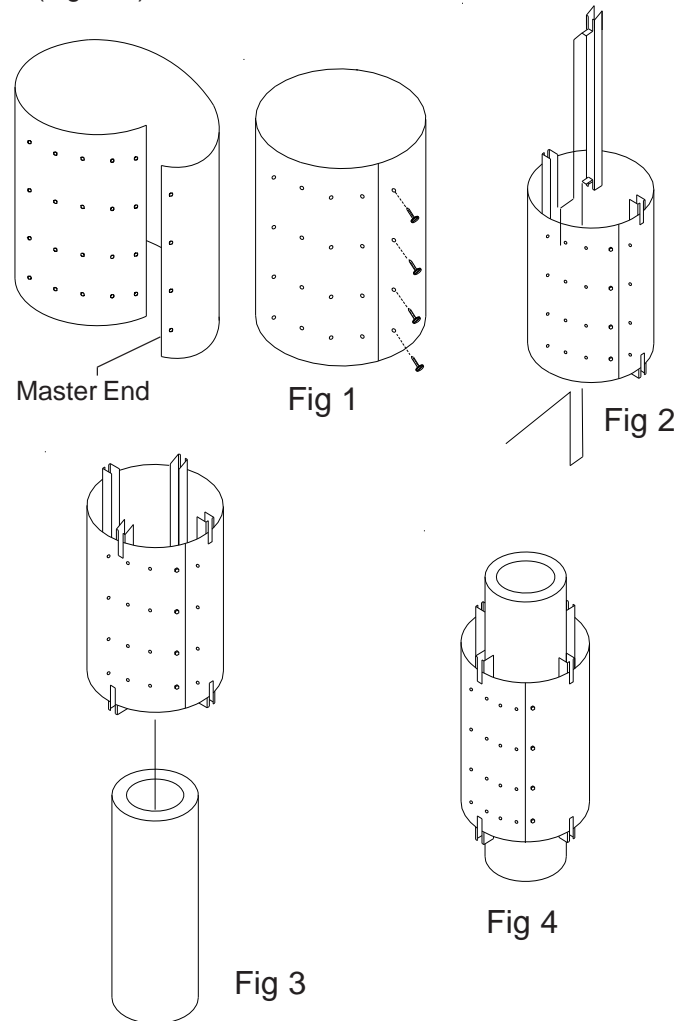
1. One Shield (item 1)
2. Four Spacer Channels (item 2)
3. Three Shield Mounting Brackets (item 3)
4. Twelve #8 x 1/2" sheet metal screws (item 4)
5. Thirty six #9 x 1-1/2" Truegrip GT w/washer wood screws (item 5)
6. One Rubber Boot Flashing (item 6)
7. One roll of mesh screen (item 7)
8. One Universal Storm Collar (item 8)

Notes:

1. Maximum roof pitch allowed for kit is dependent on the chimney's outside diameter (OD) as per Table 1 (Roof Pitch Table) on page 4.
2. This assembly is NOT a support. Chimney must be supported with one of Selkirk's main support assemblies. Refer to the chimney Installation Instructions.
3. The air space directly below the roof line must be open and permit free air circulation. Sealed enclosures around the chimney are not permitted directly beneath the roof.
4. The Shield must be mounted so that there is a 1" clearance between the Shield and the wood structure. This establishes the 2" clearance from the chimney to the wood (Figure 14).
5. The screws provided for securing the rubber boot to the roof are #9 x 1-1/2" Truegrip w/washer wood screws and assumes the rubber boot will be attached through the corrugated roof and into wood beneath. If the flashing is to be secured only to a metal roof, 1/4-14 x 1-1/8" Scots/Teks (or equivalent) sheet metal screws should be acquired and used.
6. If the Selkirk Chimney is installed in an area that experiences heavy snow/ice build-up, it may require additional protection from sliding snow or ice. See "Snow Splitter" section.

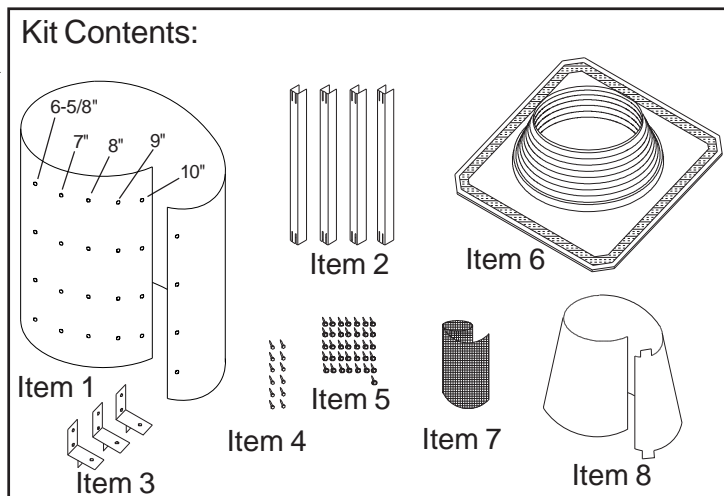
To install the Rubber Boot Flashing Kit:

1. The Shield (item 1) "master" end has a column of master holes on one edge while the other edge has multiple columns of holes, designating specific outer diameters of chimney. Form the Shield into a cylinder by aligning the master holes with the holes marked for the outer diameter of chimney being installed (Figure 1).



2. When properly formed, the "master" end of the panel will overlap the marked holes and the Shield will be 2" greater in diameter than the OD of the pipe. Secure in place with 4 sheet metal screws (item 4). (See Fig 1).
3. Install the 4 Spacer Channels (item 2) evenly spaced around the inside of the shield. Using pliers, bend the channel tabs over to grip the Shield at both the top and bottom edge. When correctly installed, each channel will extend beyond the top and bottom edge of the shield 3/4" (Figure 2).
4. Slide the shield over the chimney and center it within the prepared roof opening* (Figure 6). Maintain a minimum of 1" of air space clearance between the Shield and any combustible frame members. This will provide the required 2" of air space clearance to the chimney.

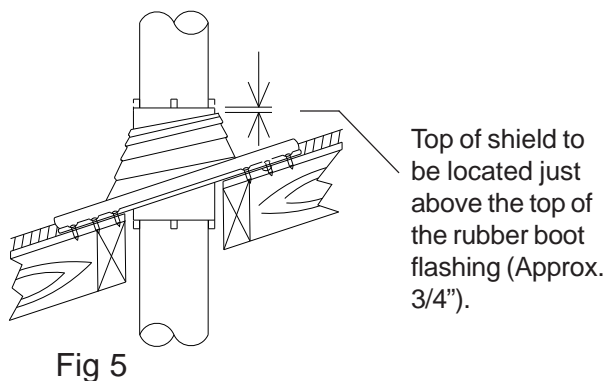
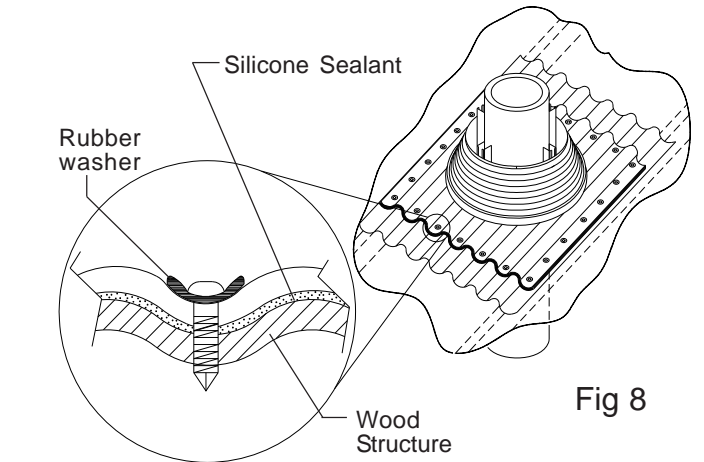
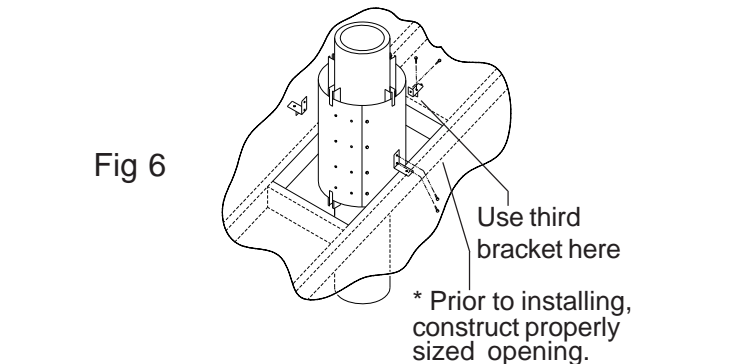
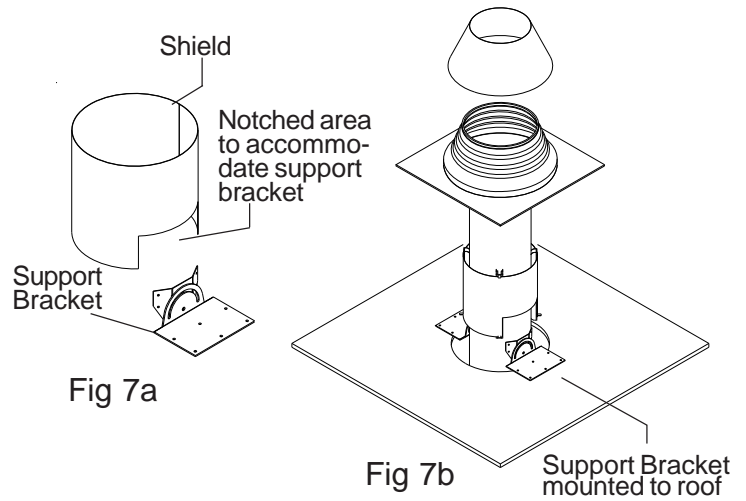
Note: There must be adequate support for the Shield. If roof decking is already present beneath the corrugated roofing it is permissible to attach the Shield to it. If such is not the case, some type of framing will have to be constructed. Three options are shown in Figures 12, 13 and 14.



- Trim opening of the Rubber Boot Flashing (item 6) to the proper diameter to fit the Shield. Use the Rubber Boot Flashing as a guide to position the top of the Shield. Locate top of the Shield slightly above (approx. 3/4") the top of the Rubber Boot Flashing (Figure 5).

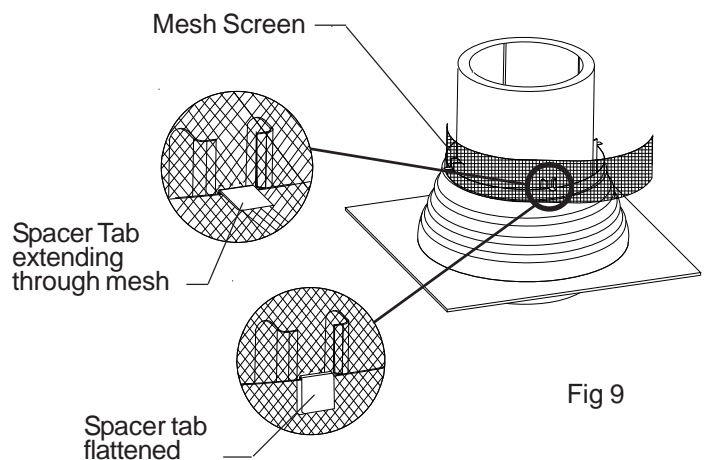
Note: If the chimney is installed using a Roof Support (RS) or a Roof Support Package (RSP), the shield will have to be notched to accommodate the roof support brackets. To determine the proper notch size and location, slide the shield down onto the chimney to where it interferes with the brackets. Based on the size of the brackets and pitch of the roof, visually gauge the amount of material that needs to be trimmed in order to allow the shield to slide down to the proper elevation for mounting. Scribe the determined cutting pattern onto the shield, remove the shield from the chimney and trim. This procedure may have to be repeated until correctly notched (Figures 7a and 7b).

- After properly positioning the Shield, attach it to the framing using the Shield Mounting Brackets (item 3) oriented as shown in Figure 6. Attach each bracket to the roof using a nail (not provided) and to the shield using two sheet metal screws per bracket (Figure 6).
- Install the Rubber Boot Flashing down over the Shield. Apply silicone sealant prior to securing the Rubber Boot Flashing to the roof. Secure to roof using #9 x 1-1/2" Truegrip wood screws (item 5). See Figure 8.



- Install the Universal Storm Collar (Figure 10) by wrapping it around the pipe (extending above the Flashing) until the desired fit is achieved. Fold the tabs over the excess overlap to make adjustment easier. Trim any excess as appropriate. When the Storm Collar has been adjusted to its final configuration, secure the overlap with two #8 - 1/2" sheet metal screws (see Figure 10). Orient the Storm Collar so the seam is towards the low side of the roof slope.

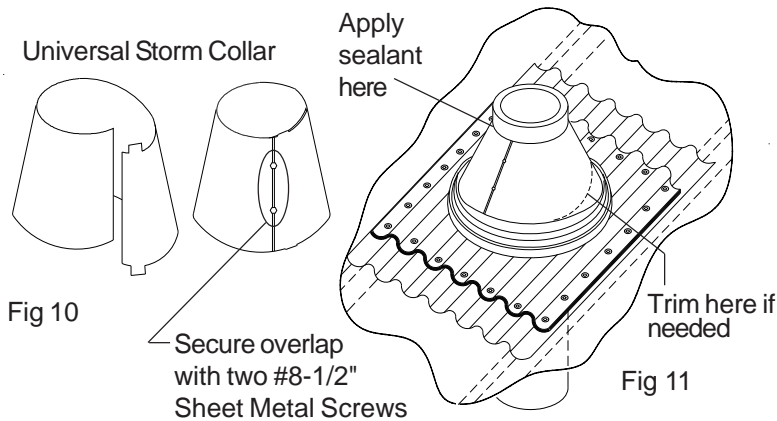
- Place the mesh screen (item 7) around the top of the Shield by carefully impaling it onto the spacer tabs as shown in Figure 9. Trim any excess as appropriate. Once installed flatten the spacer tabs to the side of the shield. This will hold the mesh in place.



- Seal the area between the pipe and the Storm Collar using a high temperature silicone sealant. (See Fig 11).

Note: It is permissible to carefully trim the bottom edge of the storm collar to achieve a more snug fit around the Rubber Boot Flashing. On steeper pitched roofs, a portion of the bottom edge of the Storm Collar (along the up-slope side) will need to be trimmed to permit collar to slide down upon the rubber boot/shield assembly. (See Figs 10 and 11).

Table 1 Roof Pitch Table			
Chimney OD	Shield OD	Maximum Pitch	Models / ID
6-5/8"	8-5/8"	12/12	DT 4" x 6-5/8"
7"	9"		UT/ST/GT, JSC/SPR/FC 5"
8"	10"		UT/ST/GT, JSC/SPR/FC 6"
8"	10"		DT 5" x 8"
9"	11"		UT/ST/GT, JSC/SPR/FC 7"
10"	12"	10/12	UT/ST/GT, JSC/SPR/FC 8"



Snow Splitter

In regions of the country where significant amounts of snow or ice accumulates, it is recommended that a "Snow Splitter" or similar device be installed. This is especially important on metal or steep sloped roofs. A Snow Splitter helps protect the chimney and the roof flashing from damages caused by sliding snow or ice by diverting it around the roof flashing and the chimney.

One fairly common and effective type of Snow Splitter is described below. Contact local sheet metal fabricators or chimney sweeps for assistance with this or other options. The Snow Splitter, shown on the right, should be constructed from heavy gage (minimum 20 gage) galvanized or stainless steel and must adapt to the pitch of the roof to which it is being installed. Once installed correctly, the top of the Snow Splitter should be approximately horizontal and aligned with the center line of the chimney pipe (see Fig 15A).

The height of the open end of the Snow Splitter should comply with local code or local area practice methods (see Fig 15B). Maintain a 2" to 3" gap between the chimney and the Snow Splitter. Extend the Snow Splitter at least 3" beyond the Flashing on both sides (see Fig 15A) and at least 6" higher than the cone of the flashing. Secure the Snow Splitter to the roof using #10 or heavier screws sufficiently long to insure that the fastener is adequately secured to the sheathing material. (If no sheathing is present it may be necessary to include backing material underneath the roofing.) Before tightening the fasteners, apply silicone or similar weatherproofing sealant under each screw head.

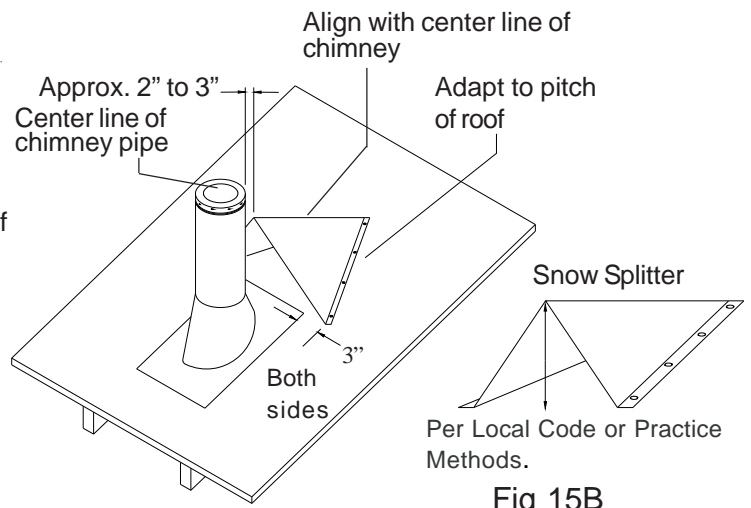


Fig 15A

Fig 15B
Snow Splitter Installation

Options for Mounting of Shield

Sheet of plywood with appropriate sized hole mounted to purlins. (There must be a 1" airspace clearance between the shield and the plywood. On a sloped roof the hole will be oval in order to achieve the required clearance at the sloped axis).

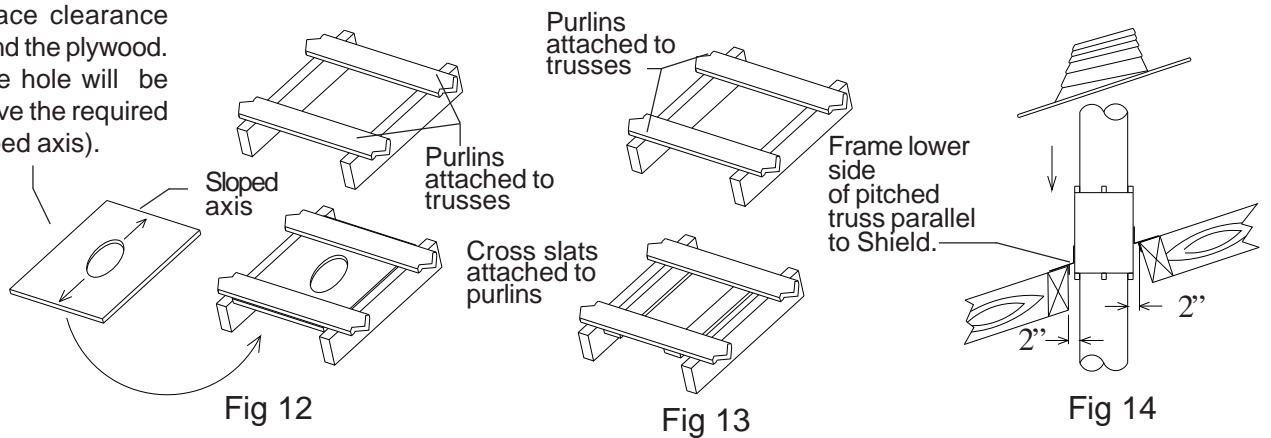


Fig 12

Fig 13

Fig 14